

MAXIM

MAX477 Evaluation Kit

Evaluates: MAX477

General Description

The MAX477 evaluation kit (EV kit) simplifies evaluation of the MAX477, a 300MHz high-speed amplifier. Its circuit includes the MAX477 in the noninverting configuration set to unity gain. RF-style connectors (SMA) and 75Ω terminating resistors are included for compatibility with video test equipment.

Component List

DESIGNATION	QTY	DESCRIPTION
C1, C6	2	10μF ±20% 10V tantalum capacitors AVX TAJB106M010 Sprague 293D106X0010B
C3, C4	2	1000pF ±10% ceramic capacitors Vitramon VJ1206Y102KXX
C2, C5	2	0.1μF ±10% ceramic capacitors Vitramon VJ1206Y104KXX
R1, R2	2	75Ω ±5% resistors
RF	1	0Ω resistor
IN, OUT	2	SMA connectors
None	1	High-frequency amplifier PC board
U1	1	MAX477ESA

Component Suppliers

SUPPLIER	PHONE	FAX
AVX	803-946-0690	803-626-3123
Sprague	603-224-1961	603-224-1430
Vishay/Vitramon	203-268-6261	203-452-5670

Quick Start

The MAX477 EV kit is fully assembled and tested. Follow these steps to verify board operation. **Do not turn on the power supply until all connections are completed:**

- 1) The circuit requires supply voltages of ±5V. Connect the +5V supply to the V+ pad, and the -5V supply to the V- pad. Connect power-supply ground to the pad marked GND.
- 2) Apply a signal of ±2.0V maximum to the SMA connector marked IN.
- 3) Connect the output marked OUT to an oscilloscope through a terminated 75Ω cable.
- 4) Turn on the power supply and verify the output signal on the oscilloscope.

Features

- ◆ 300MHz -3dB Bandwidth
- ◆ Optional Adjustable Gain
- ◆ Fully Assembled and Tested

Ordering Information

PART	TEMP. RANGE	IC PACKAGE
MAX477EVKIT-SO	+25°C	Surface Mount

Detailed Description

Shutdown Control

Although the EV kit provides shutdown-control circuitry (J1) for other amplifiers, the MAX477 does not have a shutdown feature.

Voltage-Gain Adjustment

The MAX477's gain can be adjusted with minor modifications to the evaluation board:

- 1) Select feedback (RF) and gain set (RG) resistors from Table 1.
- 2) Install RF and RG.

Table 1. Gain-Set Resistors

GAIN	R _F (Ω)	R _G (Ω)	SMALL-SIGNAL BANDWIDTH (MHz)
1	0	Open	300
2	500	500	120
5	125	500	25
10	50	450	12

MAX477 Evaluation Kit

Layout Considerations

The MAX477 EV kit layout is optimized for high-speed signals. Careful attention was given to grounding, power-supply bypassing, and signal-path layout. Small surface-mount ceramic capacitors are placed as close

to the MAX477 supply pins as possible. No-Connect pins 1 and 5 are grounded to prevent unwanted noise from coupling into the circuit. Refer to the *Grounding, Bypassing, and PC Board Layout* section of the MAX477 data sheet for further details.

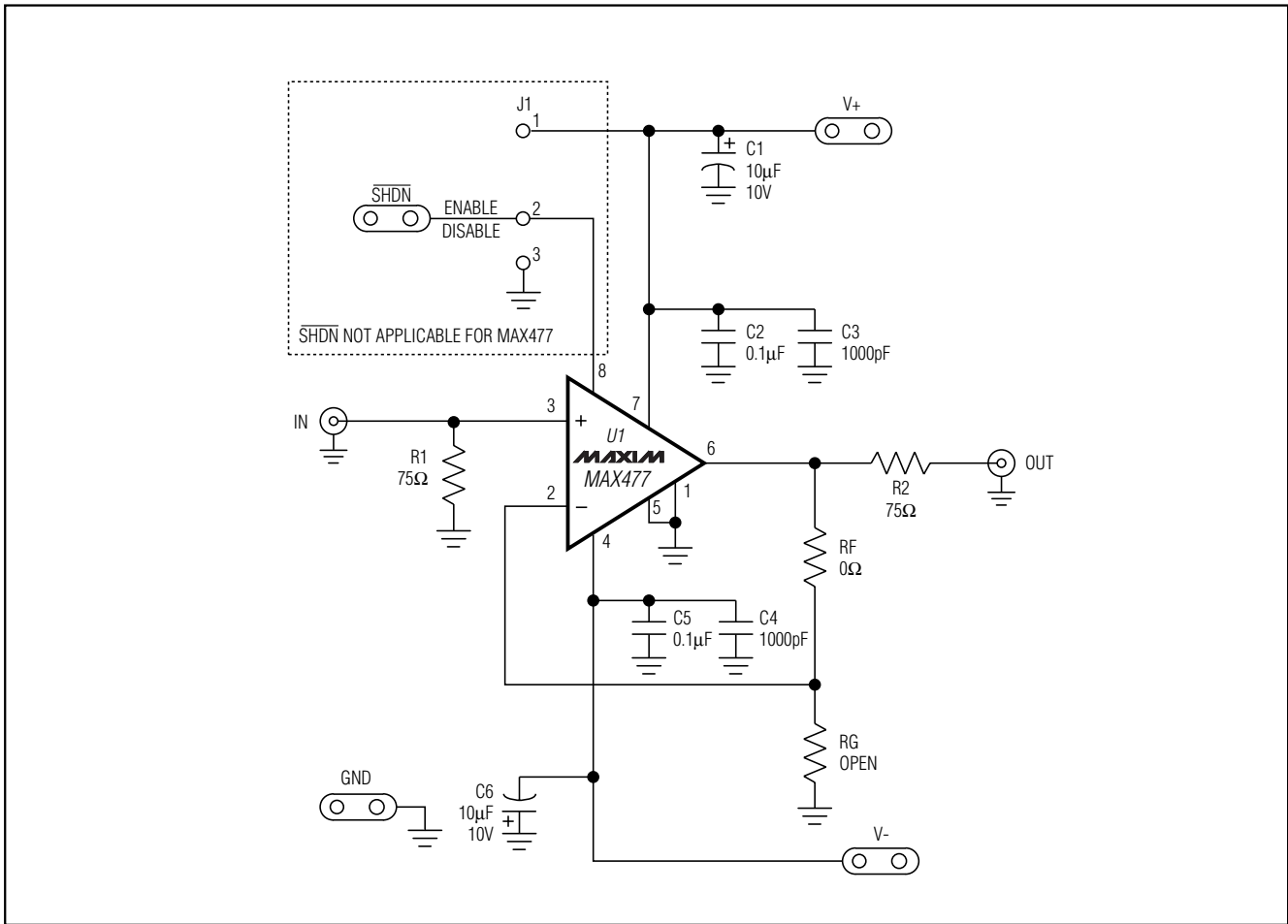


Figure 1. MAX477 EV Kit Schematic

MAX477 Evaluation Kit

Evaluates: MAX477

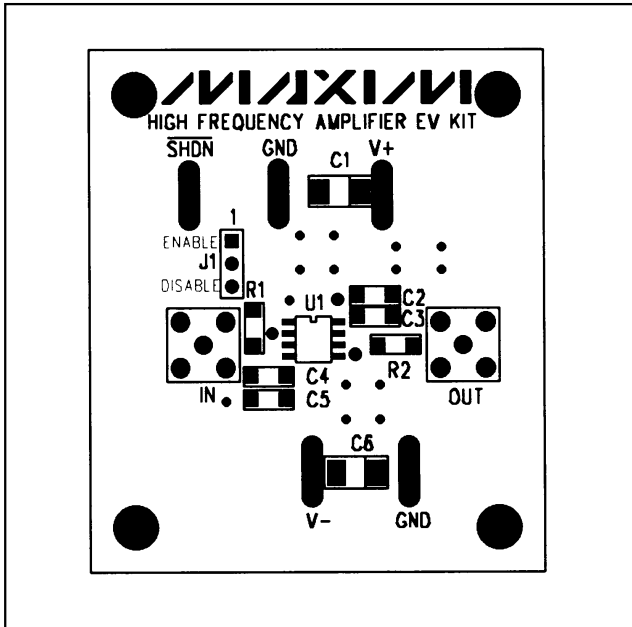


Figure 2. MAX477 EV Kit Component Placement Guide—Component Side

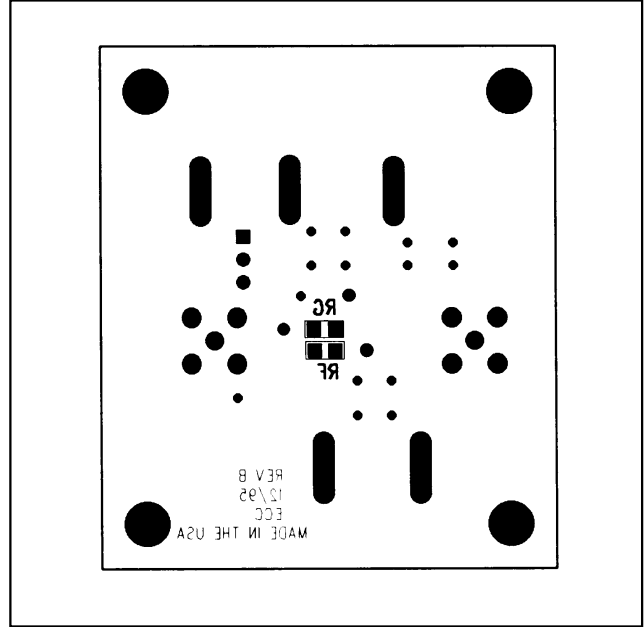


Figure 3. MAX477 EV Kit Component Placement Guide—Solder Side

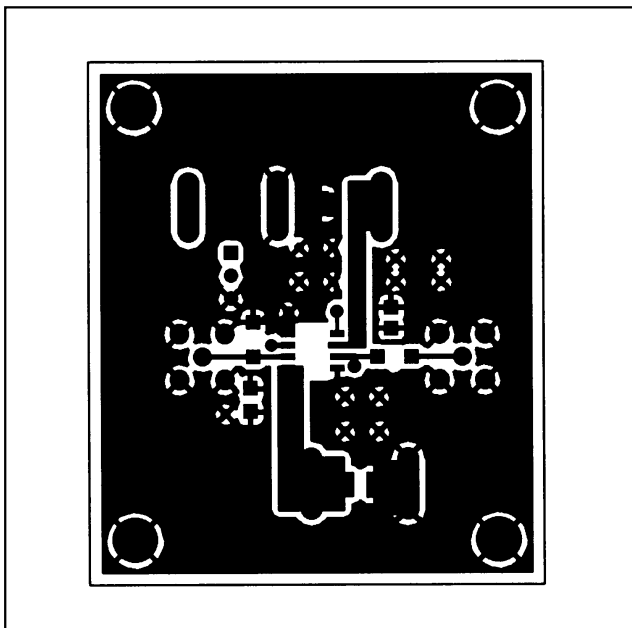


Figure 4. MAX477 EV Kit PC Board Layout—Component Side

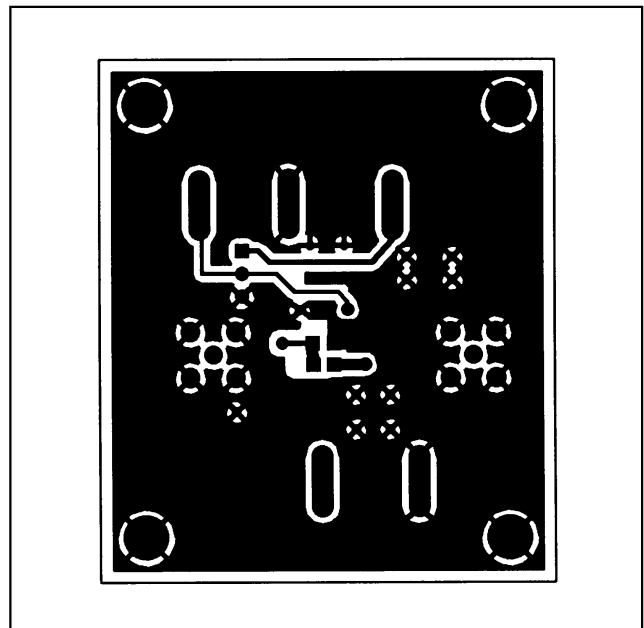


Figure 5. MAX477 EV Kit PC Board Layout—Solder Side

MAX477 Evaluation Kit

Evaluates: MAX477

Maxim cannot assume responsibility for use of any circuitry other than circuitry entirely embodied in a Maxim product. No circuit patent licenses are implied. Maxim reserves the right to change the circuitry and specifications without notice at any time.

4 _____ **Maxim Integrated Products, 120 San Gabriel Drive, Sunnyvale, CA 94086 408-737-7600**

© 1999 Maxim Integrated Products

Printed USA

MAXIM is a registered trademark of Maxim Integrated Products.